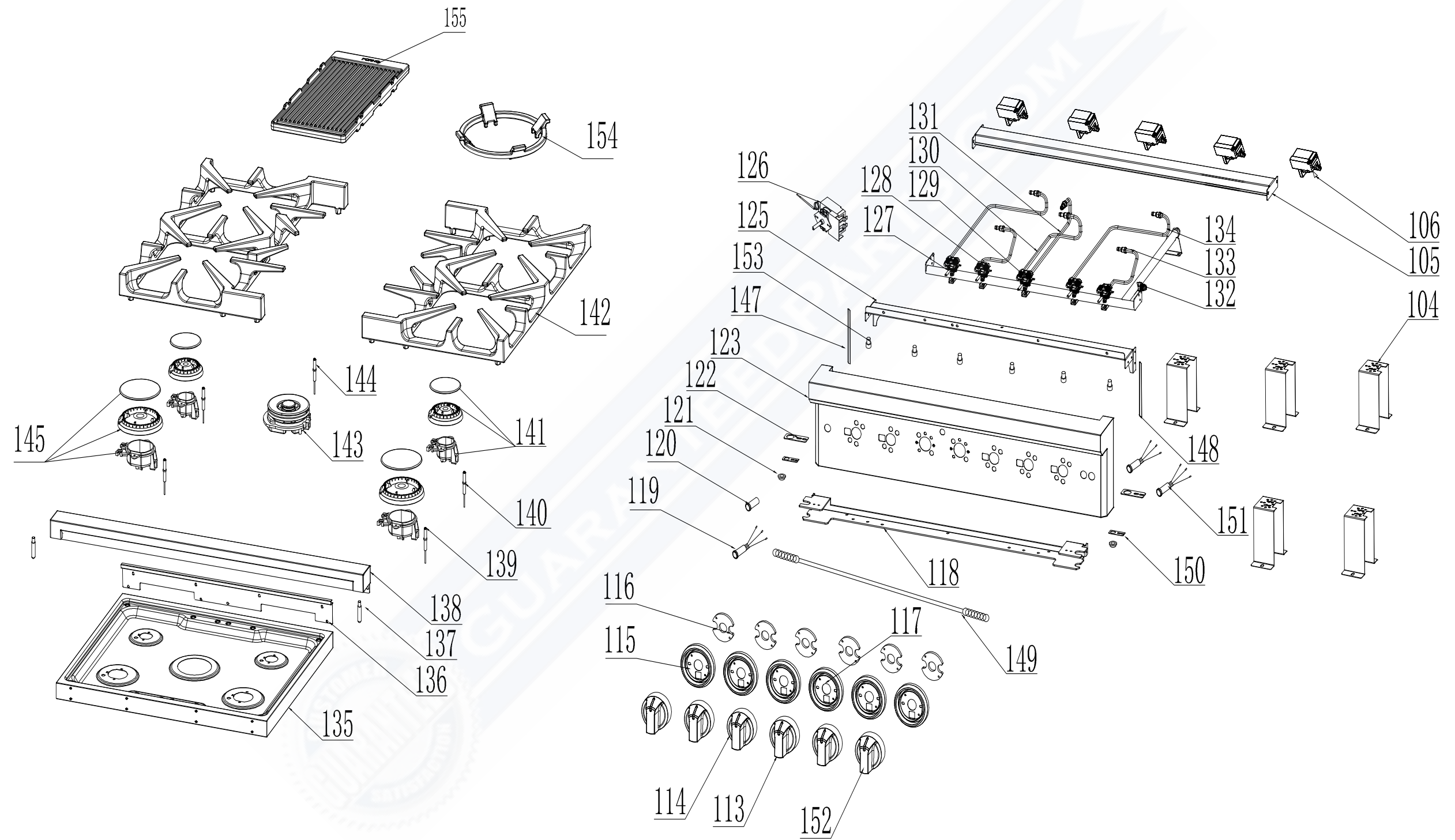
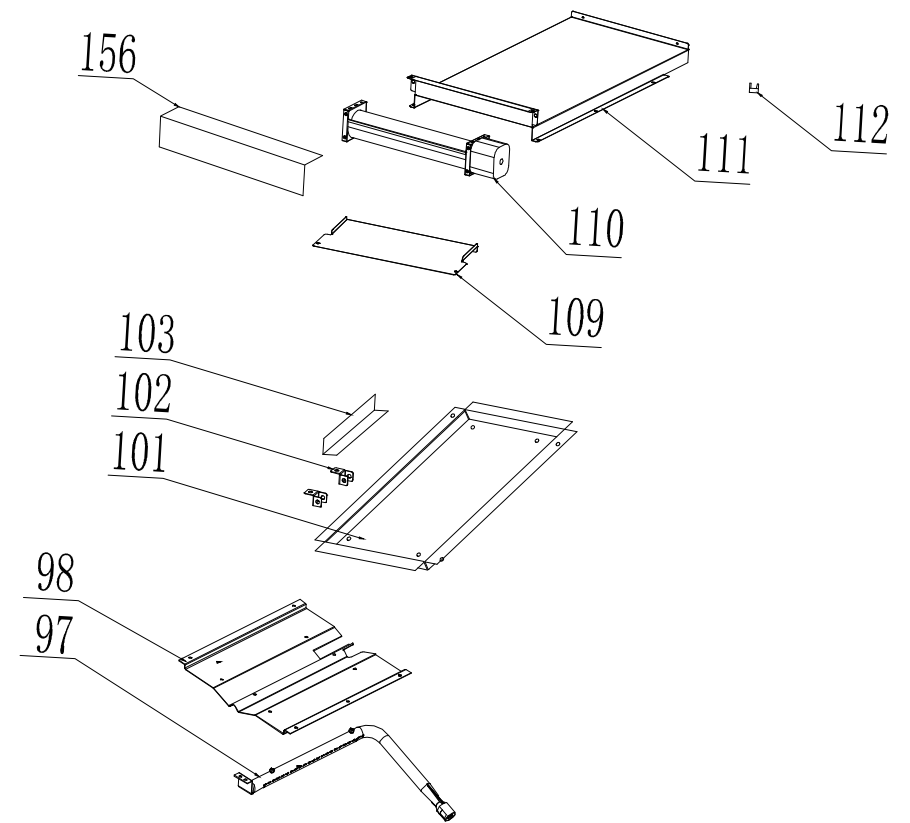
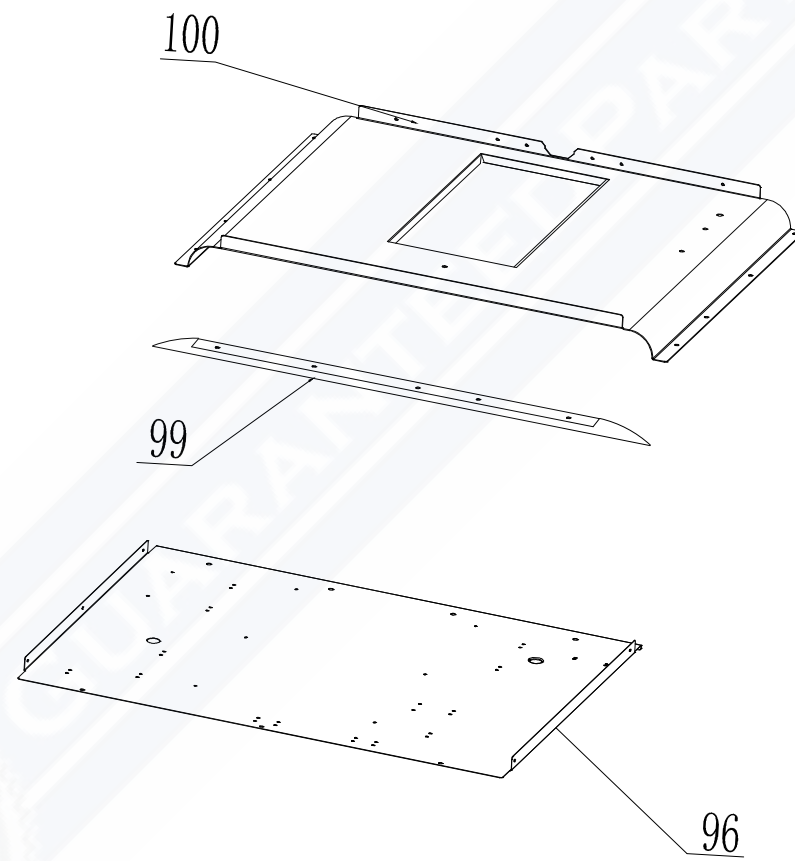
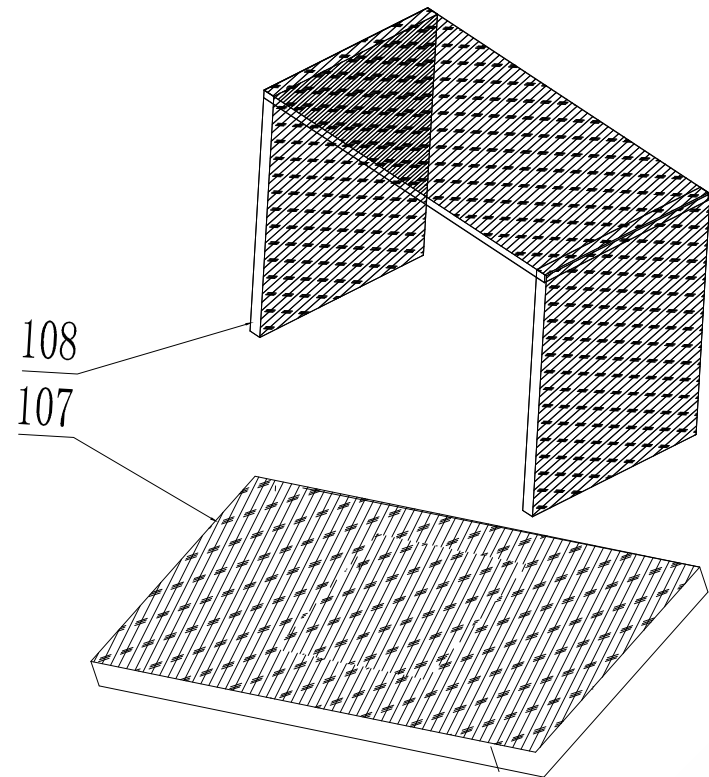


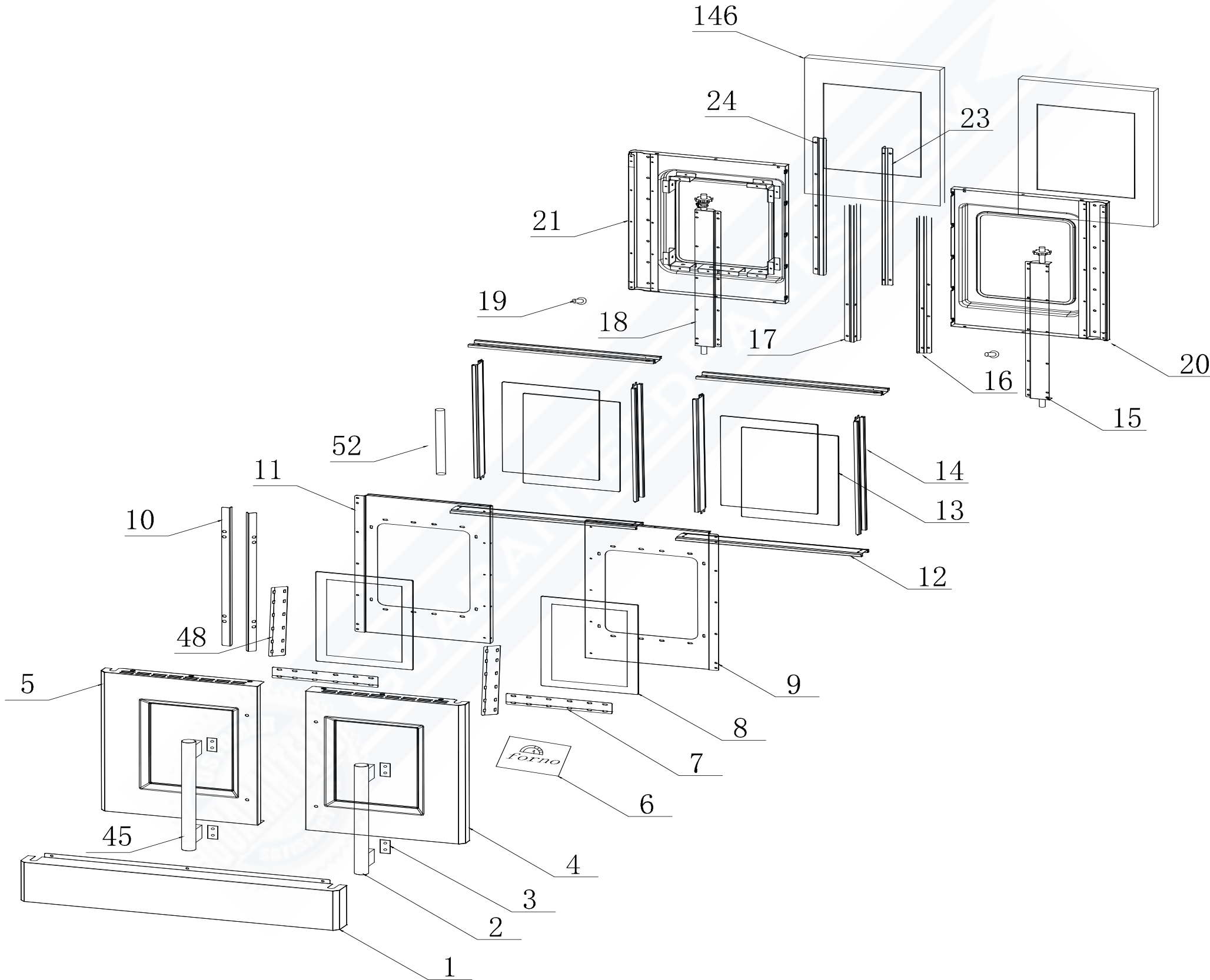
cooktop



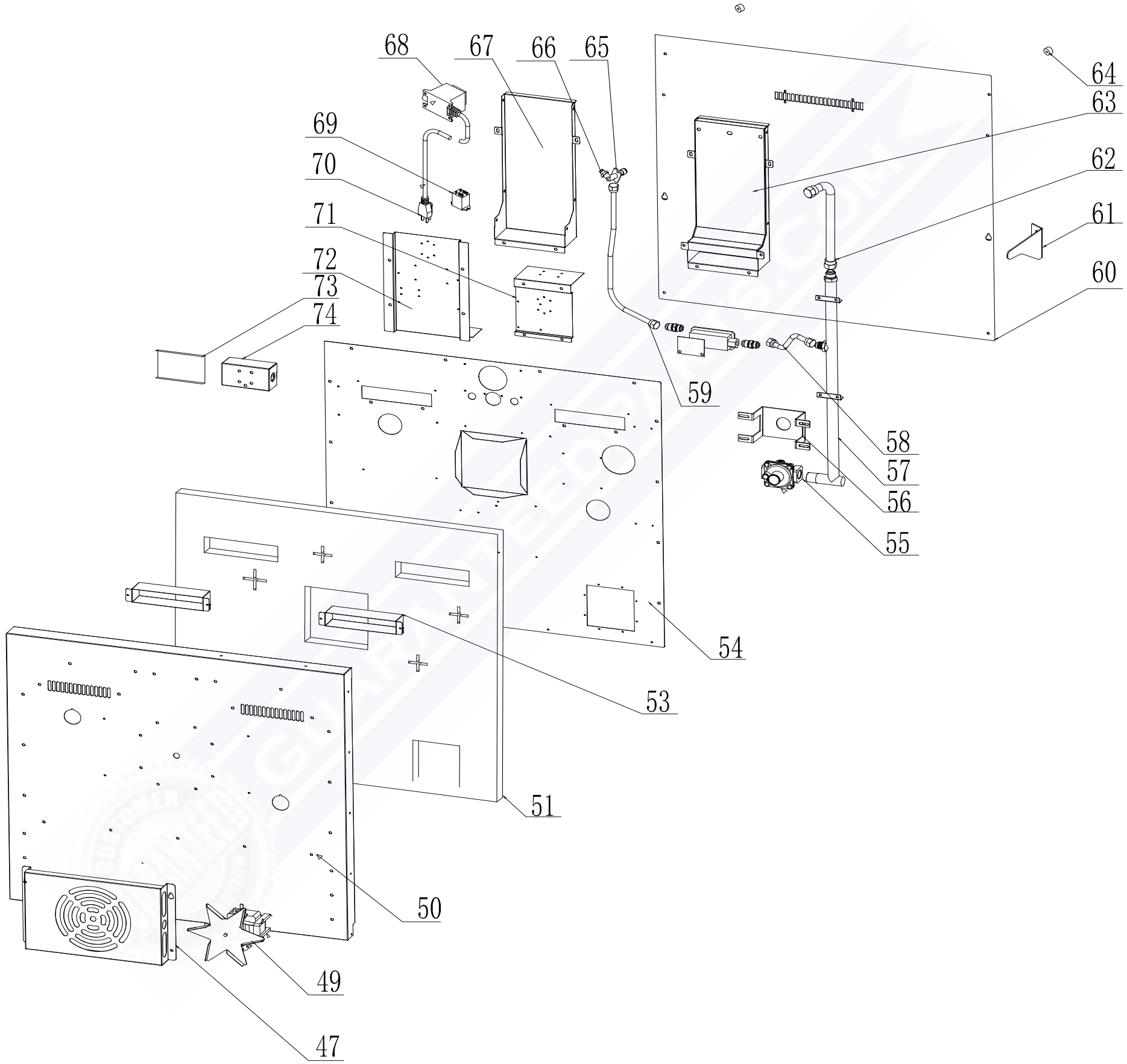
cavity top



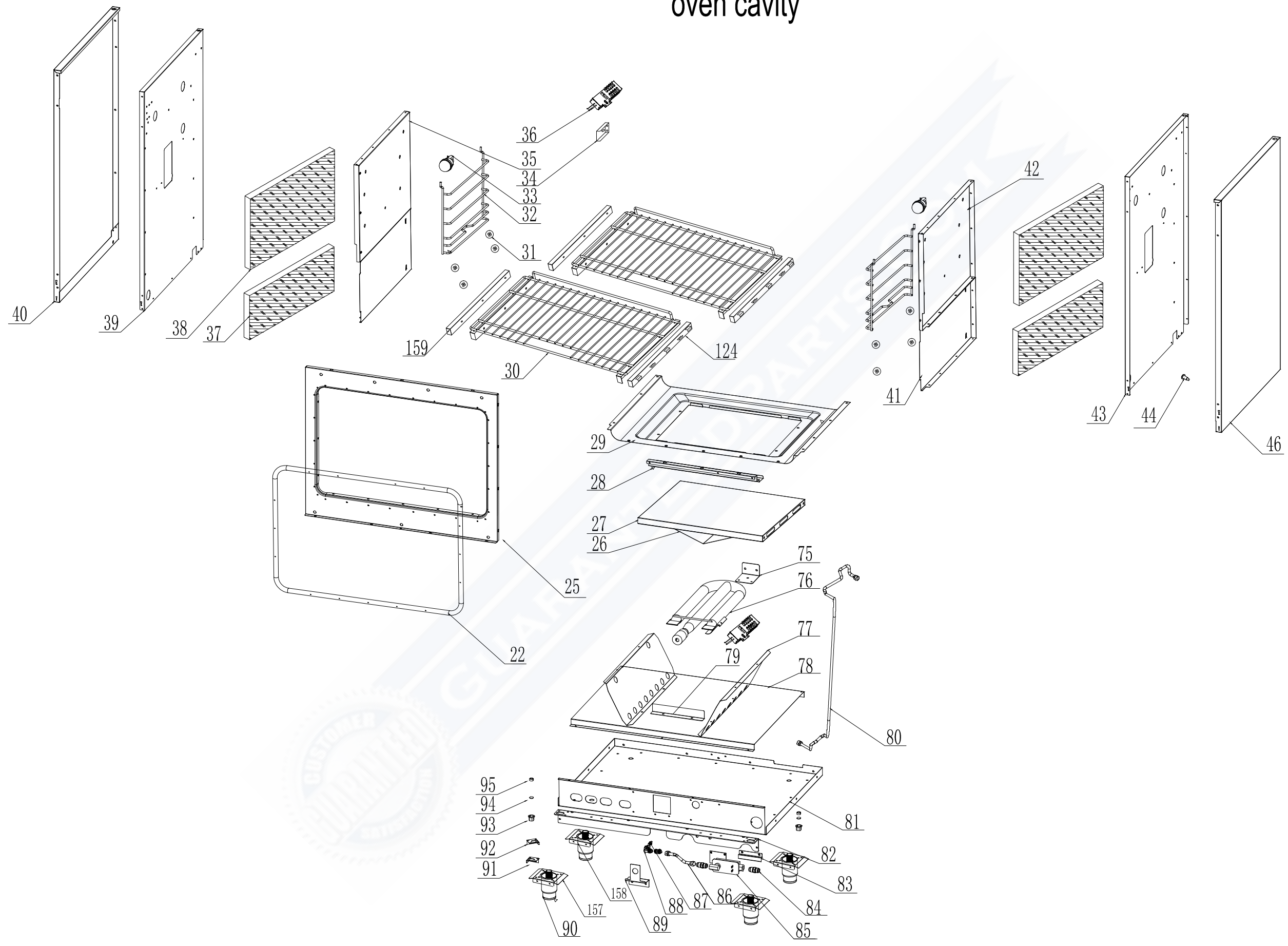
door



cavity back



oven cavity



FFSGS6439-30

No.	Part Description	Part No.	Qty.
1	Drawer panel G30R45	G30R45-120100	1
2	Handle right G18R43	G18R43-101901	1
3	handle rubber mat G18R43	G18R43-100700	4
4	door outside plate-right G30R45	G30R43-100403	1
5	door outside plate-left G30R45	G30R43-100402	1
6	metal logo FFSGS6244-36	G36R03-020010	1
7	door outer glass black pressing plate G30R43	G30R43-101400-02	4
8	door outer glass G30R43	G30R43-101100	2
9	door insulation plate right G30R43	G30R43-100801	1
10	Handle strengthen bar G36R43	G36R43-100700	2
11	door insulation plate left G30R43	G30R43-100800	1
12	up/down frame body for door inside glass	G30R43-101500	4
13	inner door glass G30R43	G30R43-100500	4
14	left/right frame body for door inside glass	G36X03-101601	4
15	axis of rotation component right	G36R43-101301-Z	1
16	supported seal part for right door G30R44	G30R44-102100	1
17	supported seal part for left door G36R43	G36R43-102000	1
18	axis of rotation component left	G36R43-101300-Z	1
19	drawer rubber mat G20A01	G20A01-120900	2
20	Door frame Right G30R43	G30R43-100603-Z	1
21	Door frame Left G30R43	G30R43-100602-Z	1
22	door seal bar G48R03	G48R03-071200	1
23	seal part for right door G36R43	G36R43-101100	1
24	seal support for left door G30R44	G30R44-101000	1
25	front plate component G30R43	G30R43-070100-Z	1
26	oven burner reflect board G30X03	G30X03-080900	1
27	down tray G30R07	G30R07-210102	1
28	cavity down strengthen part G30X03	G30X03-070000	1
29	cavity down blue enameled plate G30X03	G30X03-070704-Z	1
30	rack G30R05	G30R05-071902	2
31	side rack protect cover G36X03	G36X03-073900	8
32	side rack G36X01	G36X01-073800	2
33	Lamp round G36X03	G36X03-180100	2
34	grill burner spark plug support G36X03	G36X03-090600	1
35	cavity top left side blue enameled plate G36X04	G36X04-070509	1
36	oven cavity spark plug G36X03	G36X03-170300-1	2
37	glass wool for cavity down left down side G36X03	G36X03-073000	2
38	glass wool for cavity down left upper side G36X03	G36X03-073300	2
39	left outside plate inside component G36R43	G36R43-071101-Z	1
40	left outside plate G30R45	G30R45-071000	1
41	cavity downside plate G36X03	G36X03-070400	2
42	cavity top right side blue enameled plate G36X04	G36X04-070508	1

43	right outside plate inside component	G36R43-071100-Z	1
44	screw for anti-tip step G36X03	G36X03-111000	1
45	Handle left G18R43	G18R43-101900	1
46	right outside plate G30R45	G30R45-071001	1
47	convection fan cover G36X03	G36X03-091701	1
48	door outer glass black pressing plate	G30R45-101400-02	4
49	Convection fan G20A01	G20A01-091501	1
50	cavity blue enameled back plate G48X03	G48X03-070303	1
51	Cavity back plate G30X03	G30X03-072900	1
52	door seal bar G36R43	G36R43-071200	1
53	smoke outlet component G36X03	G36X03-075000-Z	2
54	cavity back insulation plate G30R07	G30R07-072201	1
55	Regulator G36X03	G36X03-034000	1
56	pressure adjustable valve fixed support G36X03	G36X03-034500	1
57	cavity back main gas pipe G36X03	G36X03-030800	1
58	5/8" corrugated pipe 300mm G20C01	G20C01-215302	1
59	5/8" corrugated pipe 550mm G20C01	G20C01-215310	1
60	baffle plate G30R43	G30R43-072000	1
61	anti-tip support G36X01	G36X01-212501	1
62	3/4" corrugated pipe 170mm G36X03	G36X03-215300	1
63	chimney inside plate G36R03	G36R03-074100	2
64	anti-wall rubber mat G36X03	G36X03-212600	2
65	grill burner nozzle mount G36X03	G36X03-021100	1
66	Nozzle 1.38 G36X03	G36X03-021205	1
67	chimney outer plate G36R03	G36R03-074200	2
68	LED light transformer G36R04	G36R04-180305	1
69	relay G36X03	G36X03-190200	1
70	power cord #13 G20A13	G20A13-160100	1
71	safety valve big support G36X03	G36X03-076600	1
72	ignition support G36X03	G36X03-212300	1
73	power cord terminal cover G36X03	G36X03-031300	1
74	power cord terminal G36X03	G36X03-200200	1
75	U type burner back support G36X03	G36X03-080700	1
76	oven U type burner G36X03	G36X03-080100	1
77	U type burner baffle plate G36X03	G36X03-200800	2
78	drawer insulation plate G30X03	G30X03-072100	1
79	U type burner downside support G36X03	G36X03-080600	1
80	5/8" corrugated pipe 870mm G20C01	G20C01-215311	1
81	bottom plate G30R43	G30R43-071800	1
82	Door down side connection plate G30R43	G30R43-985600-02	1
83	drawer fixed plate G30R45	G30R45-120200	2
84	safety valve gas inlet G36X03	G36X03-210500	4
85	safety valve G36X03	G36X03-035000-1	2
86	5/8" corrugated pipe 160mm G20C01	G20C01-215306	1

87	nozzle 2.20 G18X03	G18X03-021206	1
88	oven burner nozzle mount G36X03	G36X03-021101	1
89	oven burner nozzle mount support G36X03	G36X03-090700	1
90	oven leg G60R05	G60R05-071500	4
91	bottom rotate fixed part left G36R43	G30R43-032100	2
92	bottom rotate fixed part right G36R43	G30R43-032101	2
93	adjustable base G36R43	G36R43-002100	2
94	French door gasket	G36R43-002300	2
95	roast axis coat G48R43	G48R43-002200	2
96	cavity insulation plate G30R43	G30R43-074500	1
97	grill burner G36X03	G36X03-090100	1
98	grill burner reflect board G36X03	G36X03-090300	1
99	front panel strip G30X03	G30X03-214500	1
100	cavity top plate component G30X03	G30X03-070600-Z	1
101	grill burner cover G36X03	G36X03-071600	1
102	thermo-sensor fixed part G36X03	G36X03-031100	2
103	thermo-sensor baffle piece	G36R43-031100	1
104	top burner support G36R03	G36R03-170600	4
105	cooktop back support G30X03	G30X03-022000	1
106	Ignition G36R03	G36R03-170101	5
107	glass wool for cavity down plate G30X01	G30X01-036000	1
108	glass wool for cavity body G30X03	G30X03-070800	1
109	ventilation bottom plate G36R43	G36R43-075100	1
110	Cooling fan G36R43	G36R43-200900	1
111	ventilation plate G36R43	G36R43-075000	1
112	Thermo-controller C36R05	C36R05-076200	1
113	knob for double gas outlet G36R04	G36R04-030101	1
113	heat shield - knob for double gas outlet G36R04	G36R04-030106	1
114	knob for thermostat 1to2 G36R04	G36R04-030103	1
114	heat shield - knob for thermostat 1to 2 G36R04	G36R04-030104	1
115	knob ring for main gas valve G36R04	G36R04-030202	5
116	knob shining PCB G36R04	G36R04-031000	6
117	knob ring for thermostat G36R04	G36R04-030201	1
118	Door top connection plate G30R43	G30R43-022300-02	1
119	Round press button G36R45	G36R45-170200	1
120	red indicator G36X03	G36X03-031000-7	1
121	Copper bush G36R43	G36R43-130100	2
122	pressing plate for copper bush	G30R43-057600	2
123	Control panel component G30R45	G30R43-032301-Z	1
124	slide rail R X01 series G36X01	G36X01-120701	2
125	cooktop front support G30R43	G30R43-022100	1
126	digital thermostat KKXT-18-48 G36X03	G36X03-030900-1	1
127	Cooktop valve 0.62 G48R07	G48R07-030401	2
128	Cooktop valve 0.68 G48R07	G48R07-030403	2

129	Cooktop valve 0.68+0.27 C36R04	C36R04-030400	1
130	Middle main Al.pipe G30R05	G30R05-020200	1
131	Middle support Al.pipe G30R05	G30R05-020300	1
132	control panel main gas pipe G30R43	G30R43-030700	1
133	L/F Al.pipe G48R05	G48R05-020700	2
134	R/R Al.pipe G36R03	G36R03-020400	2
135	Cooktop plate G30R05	G30R05-020100	1
136	cooktop back connection plate G30R04	G30R04-073600	1
137	backsplash bolt G36X03	G36X03-110800	2
138	backsplash board G30R04	G30R04-011500-Z	1
139	top burner spark plug 660mm G36R03	G36R03-170501	2
140	top burner spark plug 380mm G36R03	G36R03-170500	2
141	9,000btu burner assembly	G36R03-040000	2
	9,000btu burner cup	G36R03-040001	2
	9,000btu burner base	G36R03-040002	2
	9,000btu burner cap	G36R03-040003	2
142	cast iron grates G30R04	G30R04-021500	2
143	20,000BTU brass burner assembly	G36R03-040300	1
	20,000btu burner cup	G36R03-040301	1
	20,000BTU brass burner base	G36R03-040302	1
	20,000btu inner burner cap	G36R03-040203	1
	20,000btu outer burner cap	G36R03-040204	1
144	top burner spark plug 700 G36R04	G36R04-170501	1
145	15,000btu burner assembly	G36R03-040100	2
	15,000btu burner cup	G36R03-040101	2
	15,000btu burner base	G36R03-040102	2
	15,000btu burner cap	G36R03-040103	2
146	glass wool for door G30R43	G30R43-103500	2
147	control panel top support left	G30R43-071500	1
148	control panel top support right	G30R43-071501	1
149	chain with screw component	G36R43-110001	1
150	pressing plate for rotated axis	G36R43-057600	2
151	Round press button G36R43	G36R43-170200	2
152	knob for single gas outlet G36R04	G36R04-030100	4
152	heat shield - knob for single gas outlet G36R04	G36R04-030105	4
153	red LED light G36X04	G36X04-031000-7	6
154	pan support G48R03	G48R03-021400	1
155	griddle G36R03	G36R03-021400	1
156	Anti-touch net G36R43	G36R43-090500	1
157	front left/right foot fixed part	G48R04-071813	2
158	back left/right foot fixed part	G48R04-071811	2
159	slide rail L X01 series G36X01	G36X01-120700	2
	Not shown in the plan		
	30" wires for LED light-R04	G30R04-180302	1

straight fixed part for door outer glass	G36R03-101300	4
L shape fixed part for door outer glass	G36R03-101200	8
plastic wire hook	G36R03-160200	2
plastic rivet G36R03	G36R03-232902	12
spark plug clamp	G20A01-170600	4
LP kit 6439-30	G30LP-6439	1
LP 20,000BTU burner center nozzle 0.46	G20A01-021235	1
LP 20,000BTU burner outer nozzle 0.9	G20A01-021203	2
LP 9,000BTU burner nozzle 0.93	G20A01-021222	2
LP broil nozzle 0.94	G20A01-021236	1
LP 15,000BTU nozzle 1.18	G20A01-021237	2
LP oven burner nozzle 1.39	G18X03-021207	1
Flame adjustment screwdriver	Flame adjustment screwdriver	1
griddle + air fry kits	FAF-30	1

GUARANTEED PART



